



Glass coating
(Shatter-proof)



FTGH - Fidelux T8 Type A+B Glass Hybrid Series

According to a survey in American market,
70% of LED tube power input is **one side** and **30%** is **double side**;
90% end customers have no idea about how to choose LED tube for replacement;
90% end customers don't know how to install LED tube.

So you need one tube which **TO DO IT ALL** - Easy retrofit.

3-IN-1:

- Can work with Single ended power tube input base
- Can work with one Double ended power input base
- Can work with electronic ballast

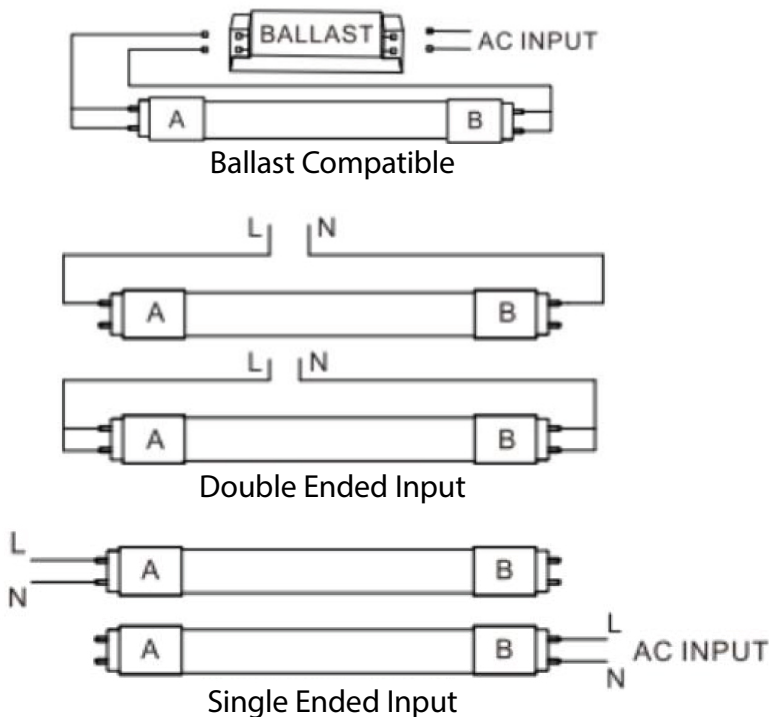
Features & Benefits

- Work with electronic ballast or AC 100-277V power input
- 3 in 1: Ballast Compatible, Single & Double Ended Ballast Bypass
- Easy Socking, Reduce inventories by 66%
- Shatterproof Design meets NSF requirements
- Plug & Play direct
- Warranty 5yrs

Approval Listings

- UL (pre UL - 1993) - Manufactured before April 30 2019
- Most of our products are DLC listed, qualifying them for the highest rebates. Please check individual product specs for DLC status. Refer to DLC website by clicking this link: <https://www.designlights.org>

Type A+B: Double & Single End Power Input and Ballast Compatible



Performance Summary

DATA SOURCE	DLC	DLC
Product Number	FTGH-12W	FTGH-15W
Nominal Efficacy l/pw	122	119
Input Power: Watts Nominal	13.23	16.2
Lumens @ 3000K	1550	1800
Lumens @ 4000K	1550	1800
Lumens @ 5000K	1630	1934
UL Type	A or B	
Qualifications	UL, DLC 4.4 (Std) Pending, NSF	
Dimming	Non Dim	
Input Voltage Options	100-277vac	
CRI	83.4	81.5
Beam Degree	344.67°	
Ambient Working Temp	-20°C ~ +45°C / (-4°F ~ +113°F)	
L70 Lifetime Hrs (TM21)	55,000+ Hrs	
Length	4 ft	4 ft
Limited Warranty	5 yrs.	

Notes: Values are nominal unless noted +/- 5% Specifications change without notice

Product Ordering Guide

Example: FTGH-12W-30K

Product	Length	Voltage	CCT / Color Temp
FTGH-12W FTGH-15W	4 (4ft) STD	Blank (120-277vac) STD	30K (3000K) 35K (3500K) 40K (4000K) 50K (5000K)

FTGH Hybrid Tubes
344.6 Degree

