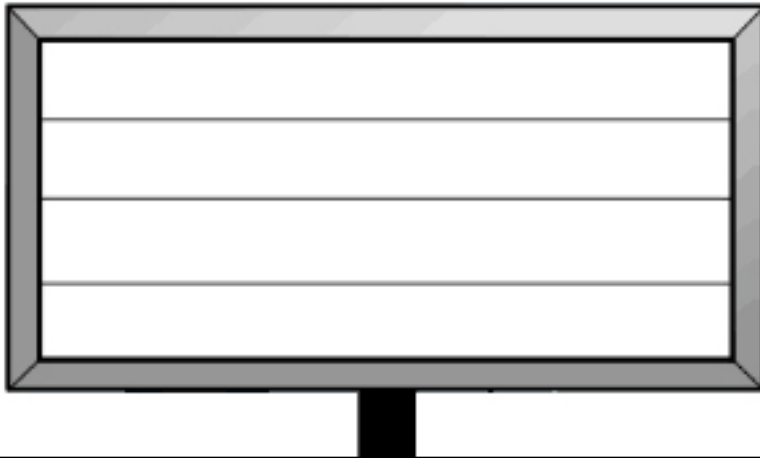


# J Series



Your partner for everything outdoor.



## 8-Sheet Junior Poster

**Copy Area: 5' x 11'**

*Overall Size: 6 x 12*

### **Galvanized/Bonderized Steel Sections**

*Thick coating provides protection against corrosion and rust.*

### **Complete Individual Kits**

*Sections, trim, and hardware packaged in one complete kit.*

### **Wall Mount**

*Versatile mounting hardware. See back for details.*

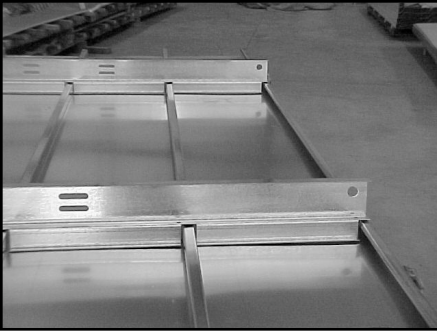
### **Complete Junior Structures Available**

*Our Face + Our Structure = Your Most Economical Design*

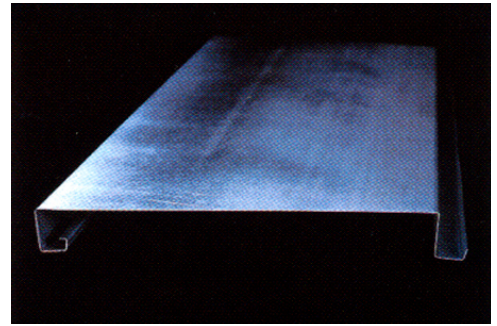
**“The most perfect sign I ever put together,”**

*--Contractor in Hattiesburg, MS,  
describing one of our complete junior structures.*

# J Series



Sprits and mounting channel are designed for easy installation.



Rollformed to precise tolerances, our horizontal sections provide a smooth posting surface.

## LIFTING EYES

Assemble the face in the shop or on location, then lift the entire unit right into place.

## GALVANIZED/BONDERIZED SECTIONS

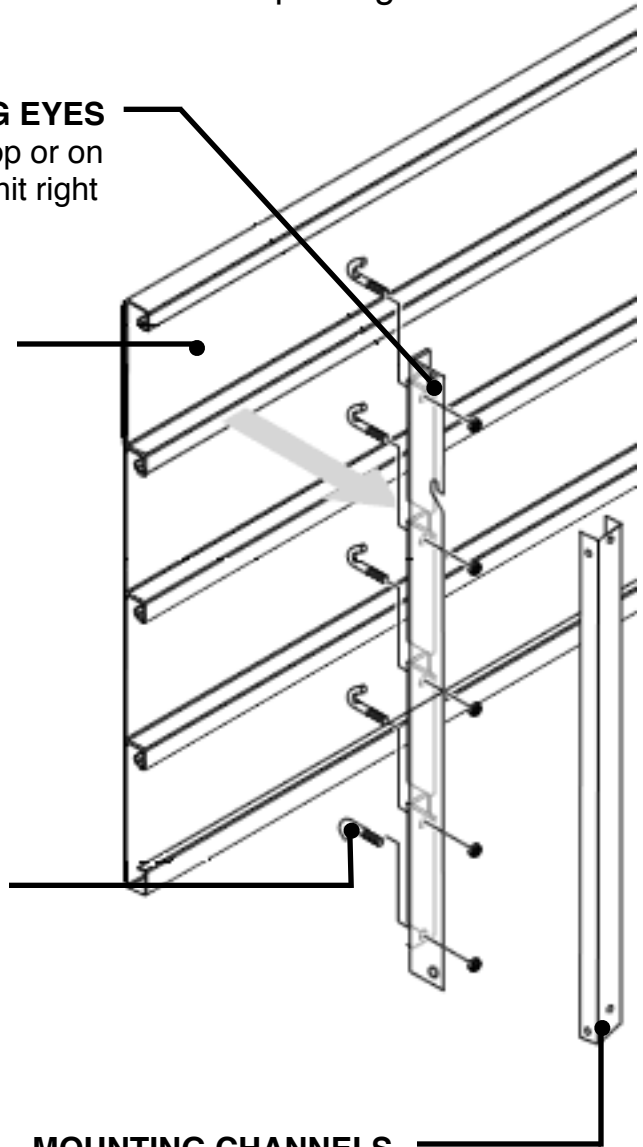
Our 20-gauge, horizontal sections interlock with overlapping flanges, forming a strong, smooth face.

## GALVANIZED SPRITS

These 12-gauge vertical members are the steel backbone of the 8-sheet poster. The design of the J-Series allows the sprit to hook directly into the mounting channel for quick installation.

## J-BOLTS AND LOCK NUTS

J-bolts lock panels firmly together and attach them to the sprit.



## MOUNTING CHANNELS

Attach mounting channels to walls or other structures. The sprit hooks easily onto the top cross-bolt, and the bottom cross-bolt locks the face in place.

*For more information...*



Your partner for everything outdoor.