

UNISTRUT® BILLBOARD CATWALKS

Proudly Distributed by:



NEW

*Installation is as
easy as 1-2-3*



UNISTRUT®

A PART OF **atkore**
INTERNATIONAL

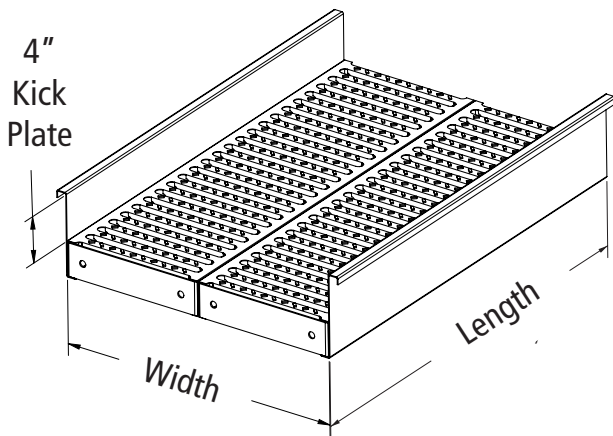
Proudly Distributed by:



Irvin is proud to introduce Unistrut® quick installation grating catwalks to service the Outdoor Advertising market. Our Unistrut® catwalks are a pre-welded assembly with a modular design eliminating most of the field assembly, creating HUGE labor savings. They are available in a range of sizes and exceed OSHA standards for safety.*

For more information, contact your Irvin Sales Rep at 800-474-7846.

Billboard Catwalk



FEATURES AND BENEFITS

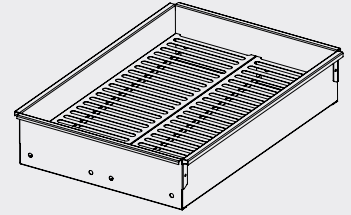
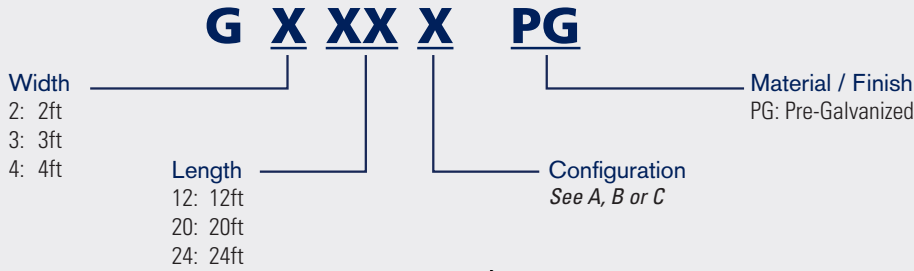
- Pre-welded assembly for HUGE savings on labor and installation
- Anti-skid surface with 4" kickplates for a safe working platform
- Modular design can be configured to fit different types and sizes of billboards
- Many mounting kit options for various support beams
- Exceeds OSHA Outdoor Industry requirements*
- Made in America

Please Note: This product is not rated for use as fall protection.

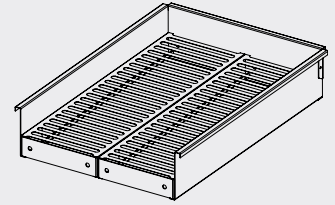
* OSHA requirements: Scaffolds and their components shall be capable of supporting without failure at least four times the maximum intended load.

UNISTRUT®. Build something great.

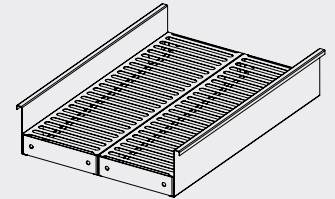
PLATFORM PART NUMBER



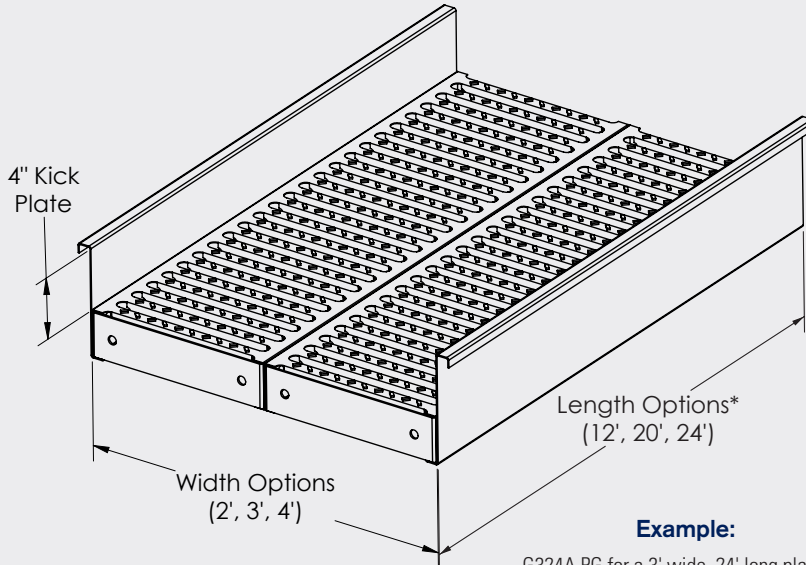
Configuration A
Kick Plates at both ends



Configuration B
Kick Plate at one end
Splice Plate at the other end



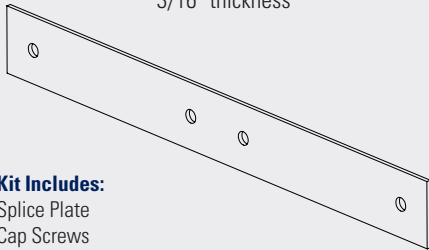
Configuration C
Splice Plates at both ends



Example:
G324A PG for a 3' wide, 24' long platform
with Kick Plates at both ends

ACCESSORIES

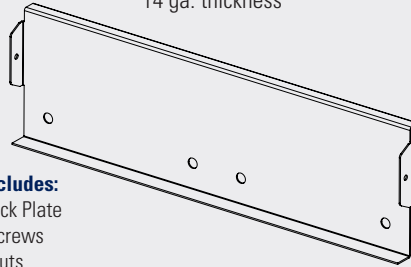
G752-X Splice Plate Kit
3/16" thickness



Kit Includes:
Splice Plate
Cap Screws
Hex Nuts
Lock Washers

X = Width of Platform in Feet

G655-X End Kick Plate Kit
14 ga. thickness



Kit Includes:
End Kick Plate
Cap Screws
Hex Nuts
Lock Washers
Self-Tapping Screws

X = Width of Platform in Feet

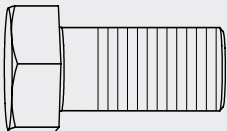
G643 Beam Attachment



This Bolt and Hex Nut
sold separately

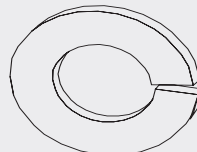
Splicing Hardware

Cap Screw



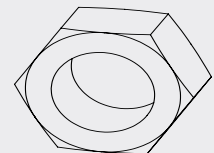
HHCS050119 EG (1/2" x 1-3/16")

Lock Washer



HLKW050 EG (1/2")

Hex Nut



HHXN050 EG (1/2")